

STAND BY ME

MODERN MONTESSORI FURNITURE

TODDLER TOWER

Thanks for shopping with Stand By Me Modern Montessori Furniture. We hope you and your little ones love your Toddler Tower for years to come. To view the assembly instructional video please visit standbyme furniture.ca.



CLEANING & CARE

Always wash with a fresh, warm damp microfiber cloth and dry immediately. Avoid cleaning products and harsh chemicals as they could damage the wood. If spills occur, wipe up immediately after use. The toddler tower should be used indoors at all time. Make sure all hardware pieces are tightened regularly using the allen key provided. Check that all pieces are present, in their proper position and free from damage before each use.



WARNINGS

Plastic Bags can be dangerous once a package is opened and items removed please place in garbage. To avoid the danger of suffocation, keep plastic bag away from all babies and Children. Danger- contains small parts, choking hazard not suitable for children under 3. Never leave a child unattended.

This product contains small parts. This product must be assembled by an adult. This product is designed for domestic and indoor use only. Plastic bags and other plastic elements should be removed immediately and kept out of the reach of children as they present a suffocation risk for children. Do not over-tighten hardware as this may cause the wood to crack. Do NOT use an electric drill to assemble.

Your child MUST be under parental supervision AT ALL TIMES when using this product. Ensure that the module is stored away and out of reach of children when not in use.

This product is designed to be used by only one child at a time. This product should be used on an even, flat surface and at least 1.8 meters (6 feet) away from a wall, furniture piece or other structure.

Wood is a natural material that can bear marks and since every tree is unique, every unit of this item has its own specific wood grain, color, knots, and tiny cracks.

These variations in texture and color are normal and natural in handmade wood products. These unique variations and marks are proof of quality, not defects and they make each product unique. Wood is durable, renewable, and recyclable. It also ages naturally, giving each piece of furniture its distinct features and markings. Over time, the wood used for indoor modules may experience faded coloring, cracks, and other deformations. These features give the wood its character and natural beauty and do not affect the structural integrity of the product itself. These are not quality issues.

STAND BY ME

MODERN MONTESSORI FURNITURE



DISCLAIMER & WARRANTY

No claims, representations or warranties, whether express or implied, are made by both our companies as to the safety, reliability, durability and performance of any of our companies' products. Furthermore, our company accepts no liability whatsoever for the safety, reliability, durability and performance of any of our companies' products."

This LIMITED WARRANTY covers defects in workmanship and materials for a period of two years from the date of first retail purchase. During the warranty period, Stand by me furniture will replace or repair, at its sole option, any defective stand by me furniture product returned to us, or to one of our dealers, by its original purchaser. This warranty does not cover problems that result from abuse, accident, misuse, or problems with electrical power. It does not cover uses not in accordance with the instruction manual. It does not cover commercial use of the product.

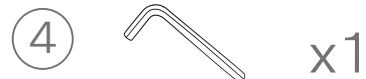
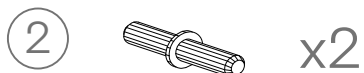
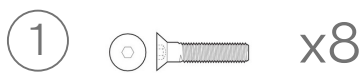
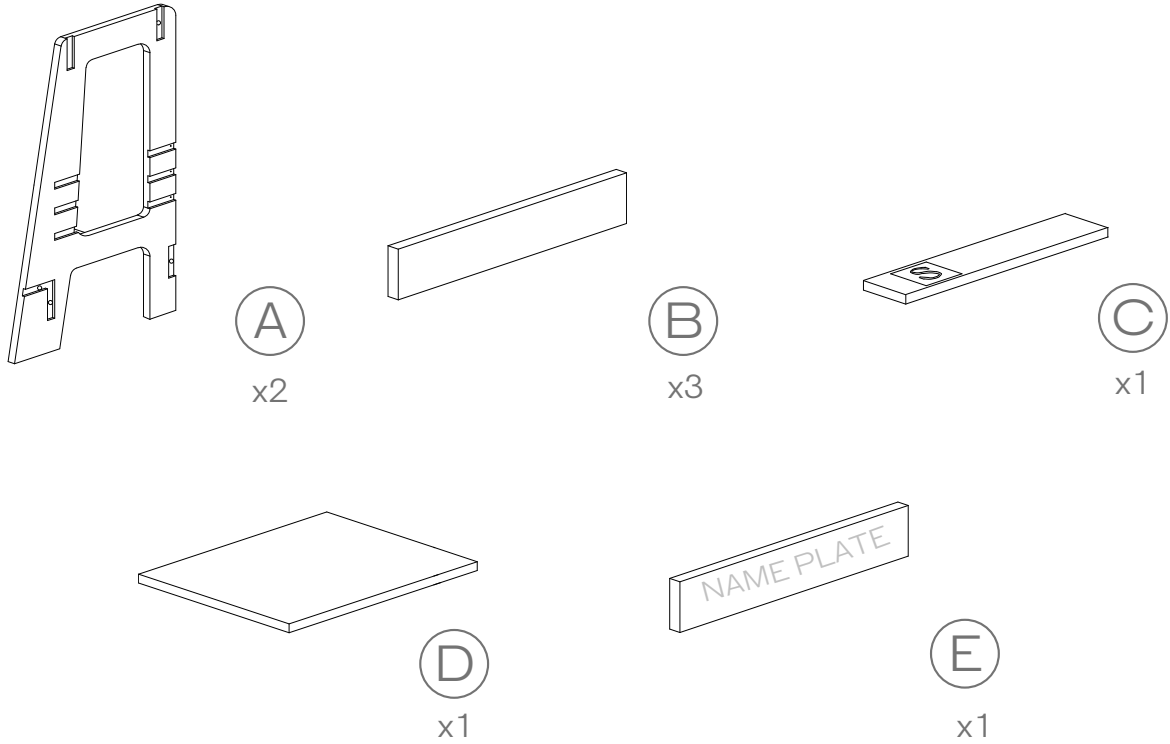
This toddler tower is provided as is without any guarantees or warranty. In association with the product, Stand by me furniture. makes no warranties of any kind, either express or implied, including but not limited to warranties of merchantability, fitness for a particular purpose, of title, or of noninfringement of third party rights. Use of the product by a user is at the user's risk.

NO REPRESENTATIONS OR WARRANTIES, EITHER EXPRESS OR IMPLIED, OF MERCHANTABILITY, FITNESS FOR A SPECIFIC PURPOSE, THE PRODUCTS TO WHICH THE INFORMATION MENTIONS MAY BE USED WITHOUT INFRINGING THE INTELLECTUAL PROPERTY RIGHTS OF OTHERS, OR OF ANY OTHER NATURE ARE MADE WITH RESPECT TO INFORMATION OR THE PRODUCT TO WHICH INFORMATION MENTIONS. IN NO CASE SHALL THE INFORMATION BE CONSIDERED A PART OF OUR TERMS AND CONDITIONS OF SALE.

STAND BY ME

MODERN MONTESSORI FURNITURE

Toddler Tower Assembly Instructions



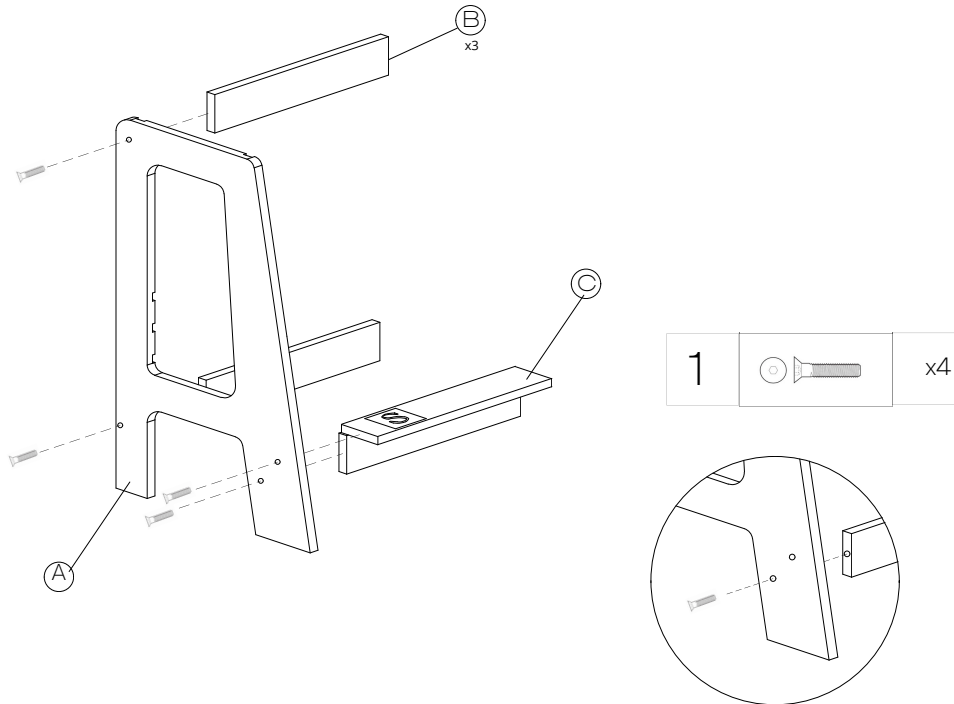
DRILL REQUIRED FOR SAFETY CLIP INSTALLATION

2 L Brackets, 4 screws and covers

STAND BY ME

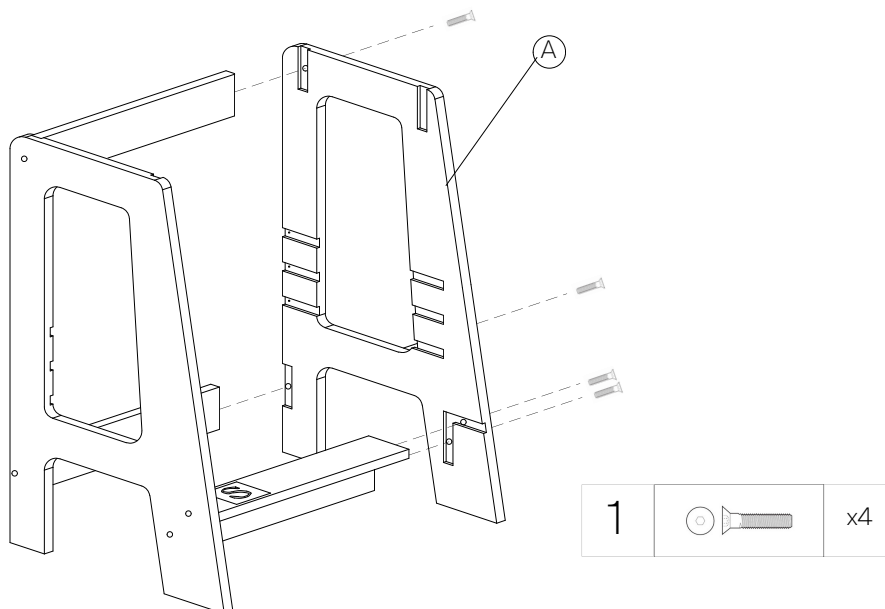
MODERN MONTESSORI FURNITURE

Step 1



****Do Not Over Tighten Bolts- to be fully tightened in step 2****

Step 2

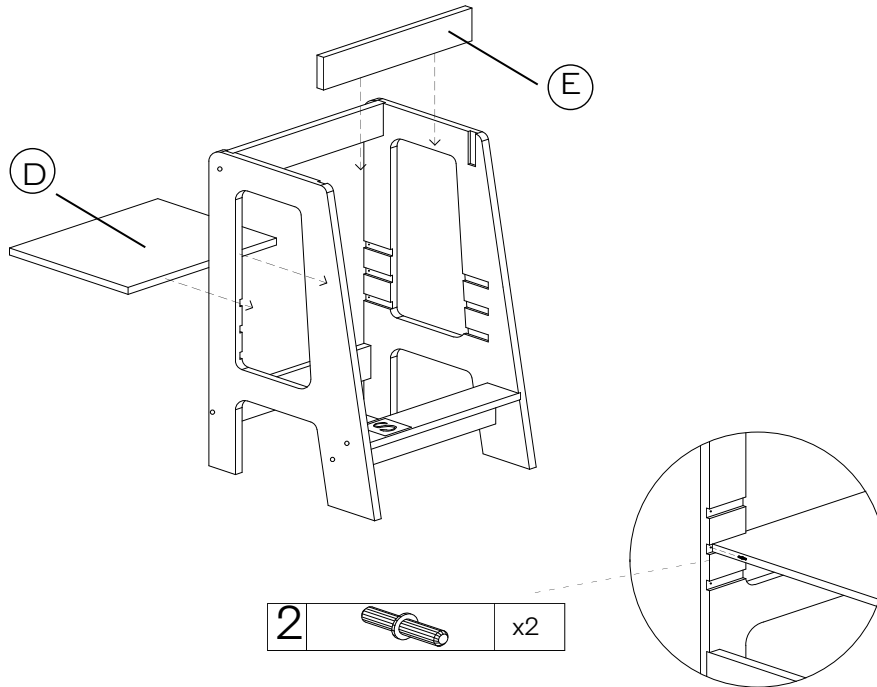


****Fully tighten all bolts now that they are all installed****

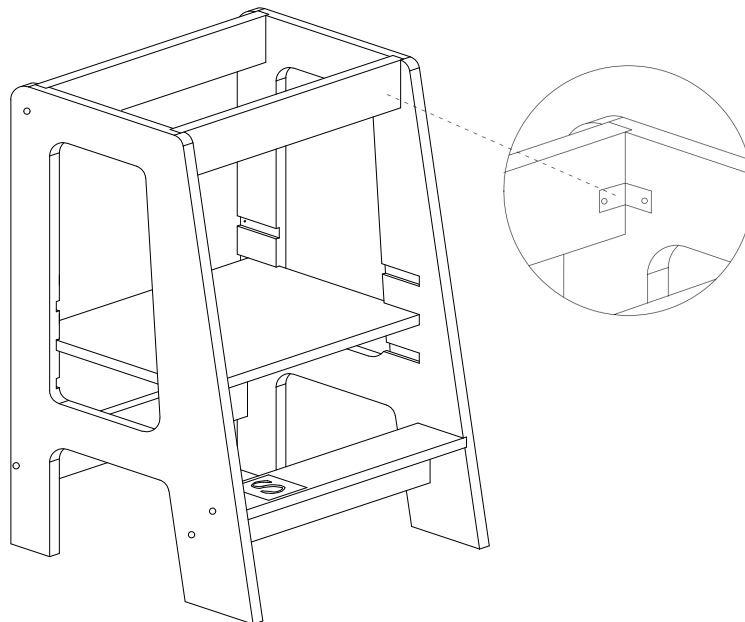
STAND BY ME

MODERN MONTESSORI FURNITURE

Step 3



Complete



****L-Brackets and covers RECOMMENDED to be installed- drill is required****
Recommended adult supervision at all times